

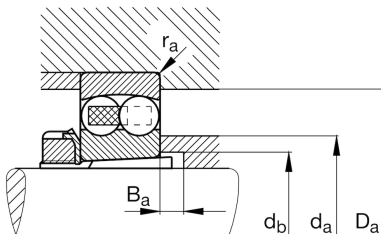
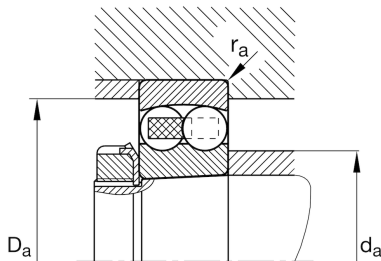
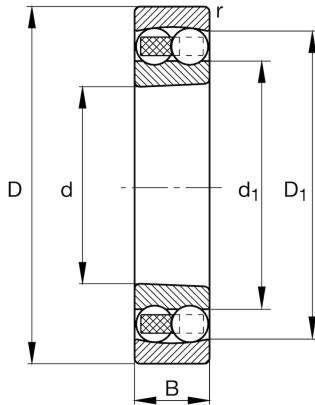
FAG

## 1322-K-M-C3

Self-aligning ball bearing

Schaeffler ID:  
0384722100030Self-aligning ball bearing 13..-K-M, tapered  
bore taper 1:12, solid brass cage

## Technical information



## Main Dimensions &amp; Performance Data

d	110 mm	Bore diameter
D	240 mm	Outside diameter
B	50 mm	Width
$r_{\min}$	3 mm	Minimum chamfer dimension
$C_r$	165.000 N	Basic dynamic load rating, radial
$C_{0r}$	72.000 N	Basic static load rating, radial
$C_{ur}$	3.400 N	Fatigue load limit, radial
$n_G$	4.200 1/min	Limiting speed
$n_{gr}$	3.400 1/min	Reference speed
	11,767 kg	Weight

## Dimensions

$D_1$	202,5 mm	Shoulder diameter outer ring
$d_1$	154,5 mm	Shoulder diameter inner ring
$C_1$	2,7 mm	Overhang rolling element

## Mounting dimensions

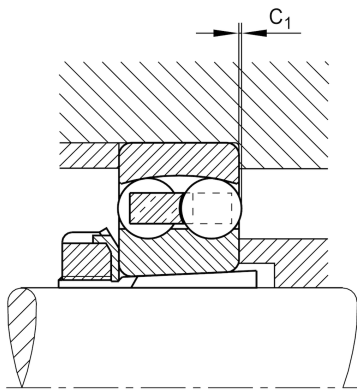
$d_{a \min}$	124 mm	Minimum diameter shaft shoulder
$d_{a \max}$	150 mm	Maximum diameter shaft shoulder
$D_{a \max}$	226 mm	Maximum diameter of housing shoulder
$d_{b \min}$	118 mm	Minimum cavity diameter of the sleeve
$B_{a \min}$	9 mm	Minimum cavity width of the sleeve
$r_{a \max}$	2,5 mm	Maximum fillet radius

## Calculation factors

e	0,23	Limiting value of $F_a/F_r$ for the applicability of diff. Values of factors X and Y
$Y_1$	2,78	Dynamic axial load factor
$Y_2$	4,3	Dynamic axial load factor
$Y_0$	2,91	Static axial load factor

## Additional information

H322	Adapter sleeve
------	----------------



### Temperature range

$T_{\min}$	-30 °C	Operating temperature min.
$T_{\max}$	150 °C	Operating temperature max.